

**DESCRIPTION**

"LeoGAS" (FLX-G) covered flexible extensible hoses conform to UNI 11353 for the connection of gas appliances. Supplied with plane gaskets for gas conform to EN 549.

**APPLICATION FIELDS**

Connection of fixed <sup>(1)</sup> domestic gas <sup>(2)</sup> appliances as cooking hobs, boilers and gas water heaters (in conformity with all the municipal, regional and national regulations) with a maximum operative pressure MOP = 0,5 bar.

**MATERIALS**

- Corrugated tube: austenitic stainless steel type 1.4404 - X2CrNiMo17-12-2 (AISI 316L) conform to EN 10028-7.
- Fittings of the nuts: austenitic stainless steel type 1.4301 - X5CrNi18-10 (AISI 304) conform to EN 10028-7.
- Swivel nuts: type CW614N or CW617N brass conform to EN 12164 / EN 12165 with nickel plating.
- Taper male fittings: austenitic stainless steel type 1.4301 - X5CrNi18-10 (AISI 304) conform to EN 10028-7.
- Coating: yellow colored shrink polyolefin.
- Plane gaskets: NBR rubber.

**THREADS**

- Swivel nuts: G parallel internal female conform to EN ISO 228.
- Male fittings: R taper external male conform to EN 10226 (ISO 7).

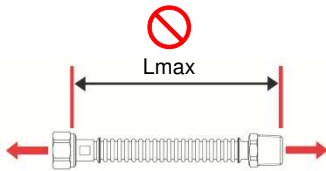
**CERTIFICATIONS**

- The quality management system of PSP S.r.l. is certified as conform to EN ISO 9001 : 2015 (Bureau Veritas certificate nr. IT308879).
- The LeoGAS" by PSP flexible extensible hoses are certified as conform to UNI 11353 : 2010 (Bureau Veritas certificate nr. 900/003).

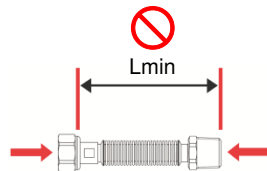
**INSTRUCTIONS AND WARNINGS**



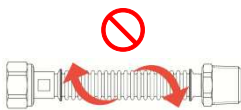
The flexible extensible hoses for gas shall be installed in accordance with existing regulations and the instruction of the gas appliance.



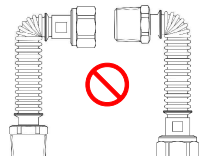
**DO NOT PULL THE HOSE BEYOND ITS MAXIMUM LENGTH**



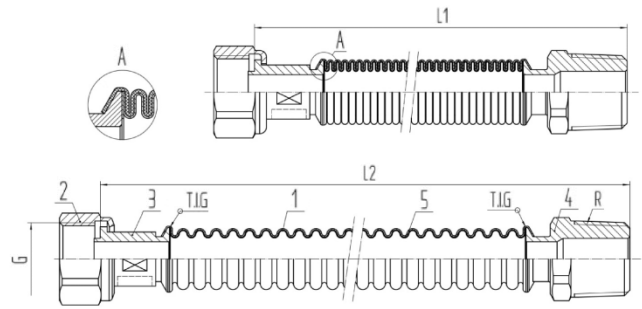
**DO NOT COMPRESS THE HOSE**



**DO NOT TWIST THE HOSE**



**DO NOT BEND THE HOSE CLOSE TO THE WELDS**



L1: supply length (compacted hose)

L2: extended hose

1: corrugated tube

2: swivel nut

3: fitting of the stove nut

4: taper male fitting

5: yellow cover

**SEALING MODES**

- End with swivel nut: the tightness of the junction is obtained through the compression of the plane gasket between the special seat of the fitting and the plane surface of the end fitting of the appliance (make sure that this is of suitable size to avoid the damage of the gasket).
- End with taper threaded male: use suitable sealing materials for threaded metal joints according to EN 751 (do not use hydraulic hemp):
  - anaerobic jointing compounds in the form of liquid, gel or paste;
  - non-hardening jointing compounds in the form of liquid, gel or paste or synthetic fiber fabric tape impregnated with sealing compound;
  - unsintered PTFE tapes.

- The hoses shall not be installed if damaged.
- Alteration of any part of the hose shall mean that it is no longer in conformity with UNI 11353 standard.
- Do not extend the hose beyond the maximum declared length.
- Do not twist or over bend the hose (minimum bending radius: 1,5xØ).
- The hose shall be not placed in areas warmer than 50°C.
- Do not connect two or more hoses together.
- Do not install the hose into a wall, floor or ceilings.
- Do not install the hose upstream of the pressure reduction valve.
- Ensure that the hose allows an adequate flow rate for its intended use.
- Following the installation, verify the tightness of the connections (for the hoses for gas use for example soapy water or other equivalent method: **do not use a flame**).
- Check the integrity of the gaskets both before installation and then periodically and replace the deteriorated ones with new ones in rubber conform to EN 549 suitable for gas.
- The hose shall be replaced in case of any deterioration or destruction of any part of them.

1) The flexible hoses are not suitable for the connection of moving appliances, parts in relative motion each other or when vibrations are present.  
 2) Combustible gases of the I (town gas), II (natural gas - methane) and III (GPL) family.