

DESCRIPTION

"LeoWATER" (FLX-W) flexible extensible hoses for the connection of water appliances. Supplied with plane gaskets suitable for drinking water.

APPLICATION FIELDS

Connection of fixed ⁽¹⁾ domestic appliances for water (hot and cold) as boilers, water heaters, fan coils and radiators:

- nominal pressure (20°C): PN 10,
- maximum operative temperature: 90°C.

MATERIALS

- Corrugated tube: austenitic stainless steel type 1.4301 - X5CrNi18-10 (AISI 304) conform to EN 10028-7.
- Fittings of the nuts: austenitic stainless steel type 1.4301 - X5CrNi18-10 (AISI 304) conform to EN 10028-7.
- Swivel nuts: type CW614N or CW617N brass conform to EN 12164 / EN 12165 with nickel plating.
- Taper male fittings: austenitic stainless steel type 1.4301 - X5CrNi18-10 (AISI 304) conform to EN 10028-7.
- Plane gaskets: EPDM rubber.

THREADS

- Swivel nuts: G parallel internal female conform to EN ISO 228.
- Male fittings: R taper external male conform to EN 10226 (ISO 7).

CERTIFICATIONS

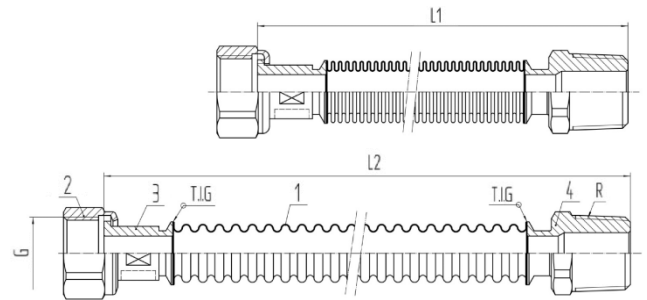
The quality management system of PSP S.r.l. is certified as conform to EN ISO 9001 : 2015 (Bureau Veritas certificate nr. IT308879).

INSTRUCTIONS AND WARNINGS



The flexible extensible hoses for water shall be installed in accordance with the instruction of the appliance.

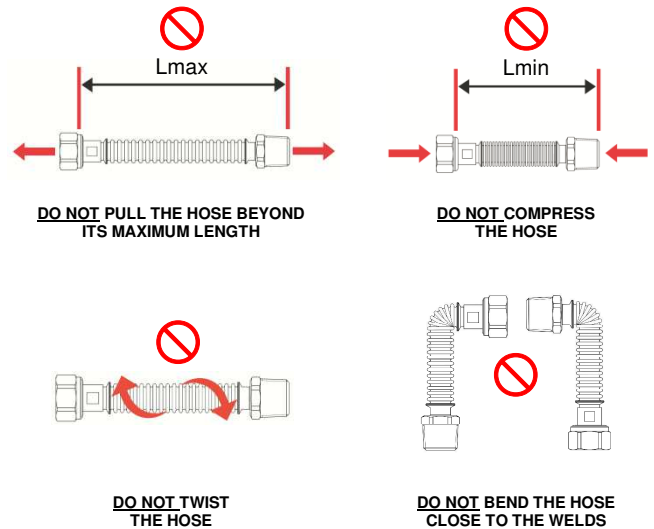
- The hoses shall not be installed if damaged.
- Alteration of any part of the hose shall mean that it is no longer in conformity.
- Do not extend the hose beyond the maximum declared length.
- Do not twist or over bend the hose (minimum bending radius: 1,5x∅).
- Do not connect two or more hoses together.
- Do not install the hose into a wall, floor or ceilings.
- Do not install the hose upstream of the pressure reduction valve.
- Ensure that the hose allows an adequate flow rate for its intended use.
- Following the installation, verify the tightness of the connections.
- Check the integrity of the gaskets both before installation and then periodically and replace the deteriorated ones with new ones in suitable for drinking water.
- The hose shall be replaced in case of any deterioration or destruction of any part of them.



L1: supply length (compacted hose)
 L2: extended hose
 1: corrugated tube 3: fitting of the swivel nut
 2: swivel nut 4: taper male fitting

SEALING MODES

- End with swivel nut: the tightness of the junction is obtained through the compression of the plane gasket between the plane seat of the fitting and the plane surface of the end fitting of the appliance (make sure that this is of suitable size to avoid the damage of the gasket).
- End with taper threaded male: use hydraulic hemp or suitable sealing materials for threaded metal joints according to EN 751:
 - anaerobic jointing compounds in the form of liquid, gel or paste;
 - non-hardening jointing compounds in the form of liquid, gel or paste or synthetic fiber fabric tape impregnated with sealing compound;
 - unsintered PTFE tapes.



1) The flexible hoses are not suitable for the connection of moving appliances, parts in relative motion each other or when vibrations are present.